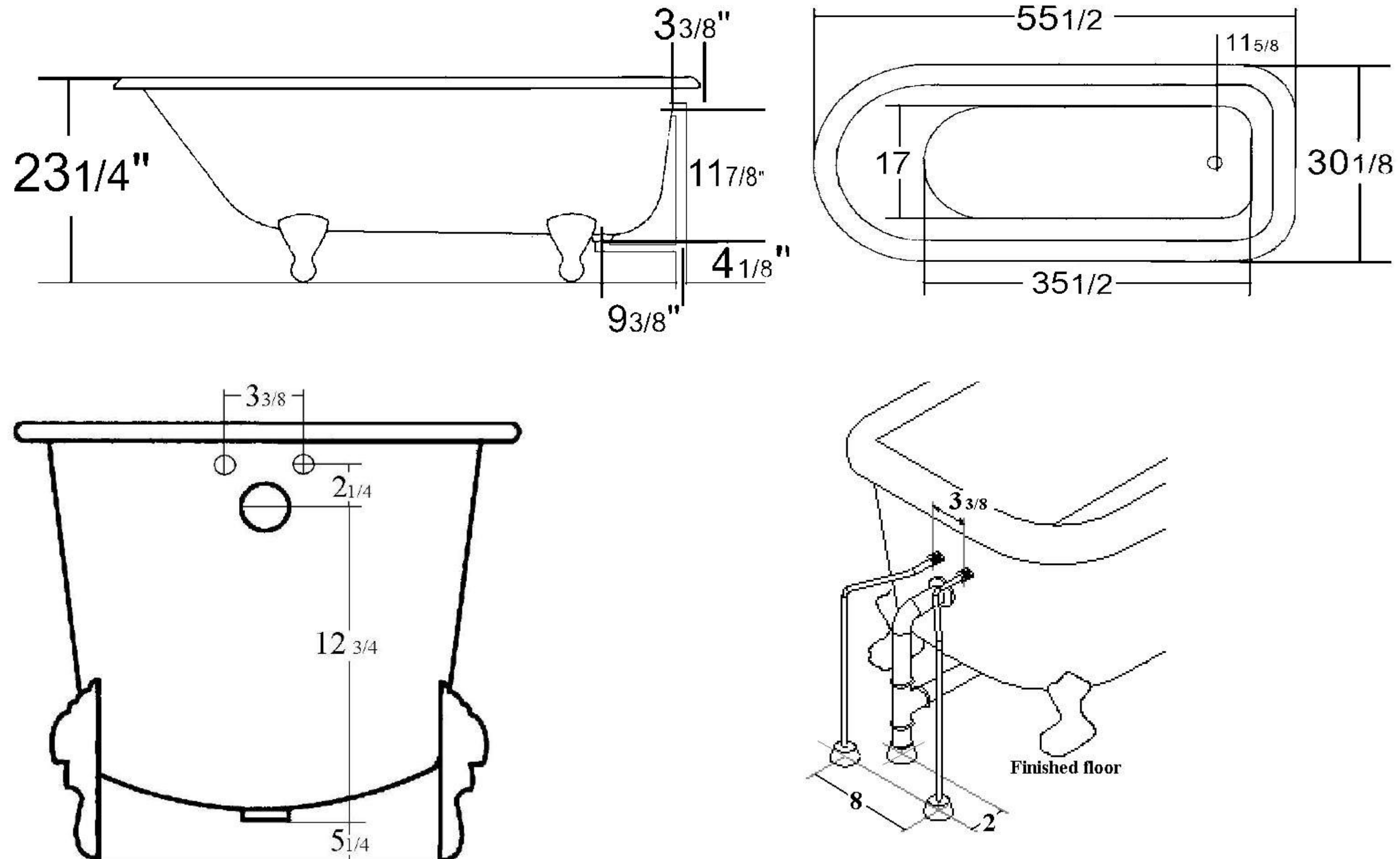


Traditional 55" Rolled-Rim Claw-foot bathtub



Specifications:

- . $55\frac{1}{2}$ " L x $30\frac{1}{4}$ " W x 23"H
- . Capacity: 33 gallons
- . Empty weight: 310 pounds
- . Filled weight: 585 pounds

Hole Dimensions:

- . Outlet diameter: 2"
- . Overflow diameter: $2\frac{1}{4}$ "
- . Faucet diameter: $1\frac{3}{8}$ "
- . Faucet spacing: $3\frac{1}{2}$ " ϕ
- . Faucet to overflow: $2\frac{1}{4}$ " ϕ

Tolerances are +/- $\frac{1}{8}$ "