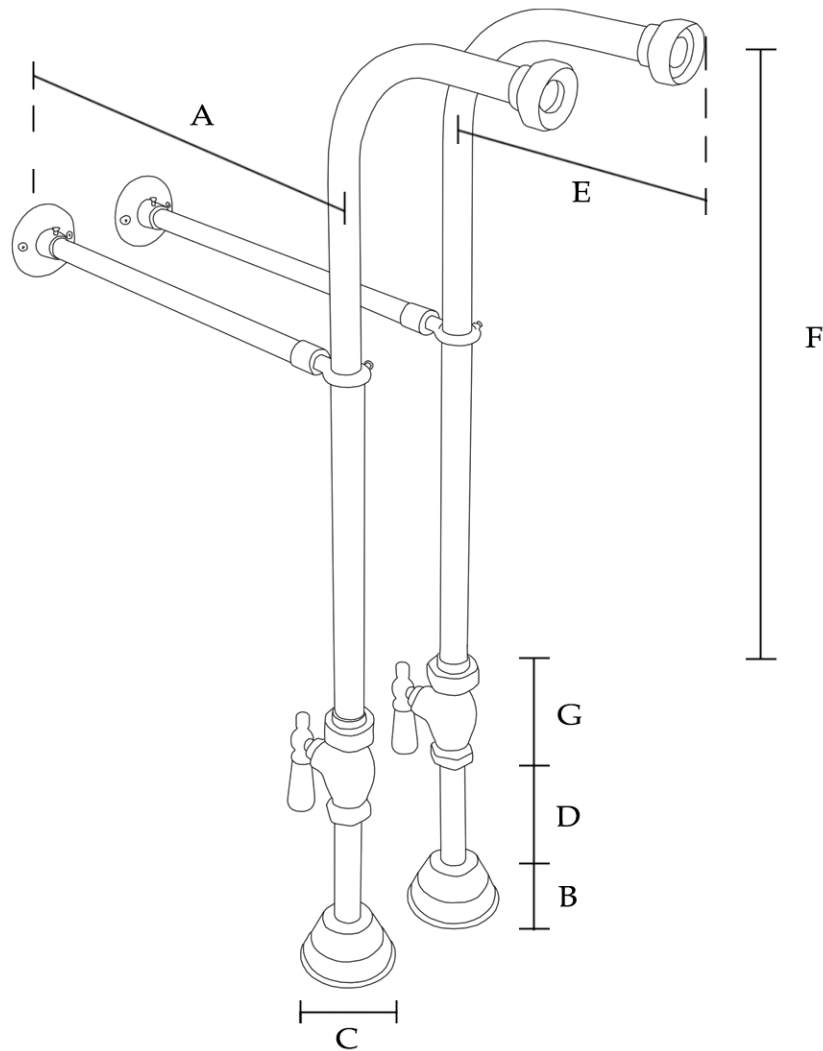


## Freestanding Tub Supply Lines with Porcelain Lever Supply Stops



(A) Brace: 13-1/2" L	(D) Nipple: 7-1/2" L *	(G) Valve: 3-3/4" H
(B) Flange: 1-3/4" H	(E) Throw: 8" L	
(C) Flange: 3" OD	(F) Tube: 19-1/2" L	

\* (D) Also included are 3", 6" or 9" L nipples.

All products and specifications are subject to change without notice.

Note: Rough-in dimensions may vary +/- 1/2" and are subject to change.