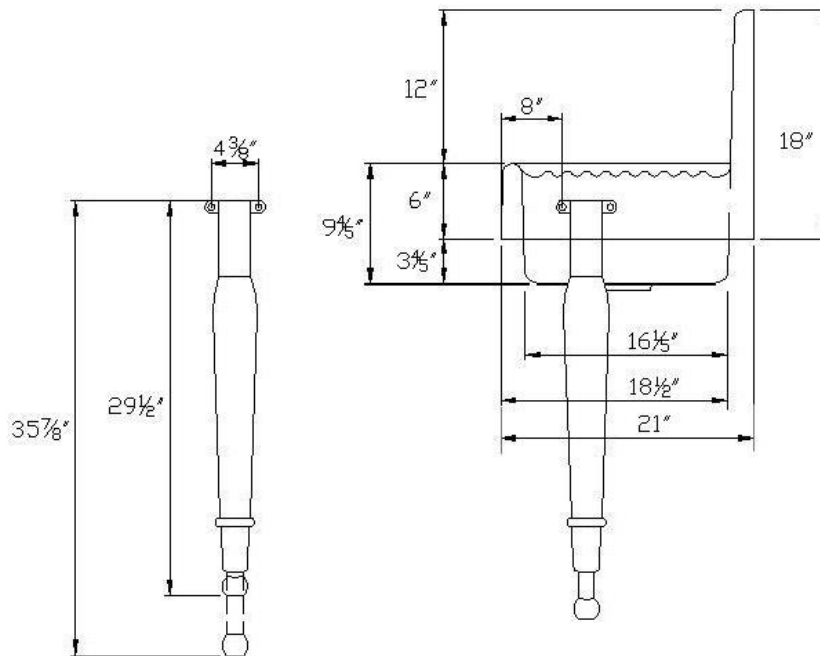
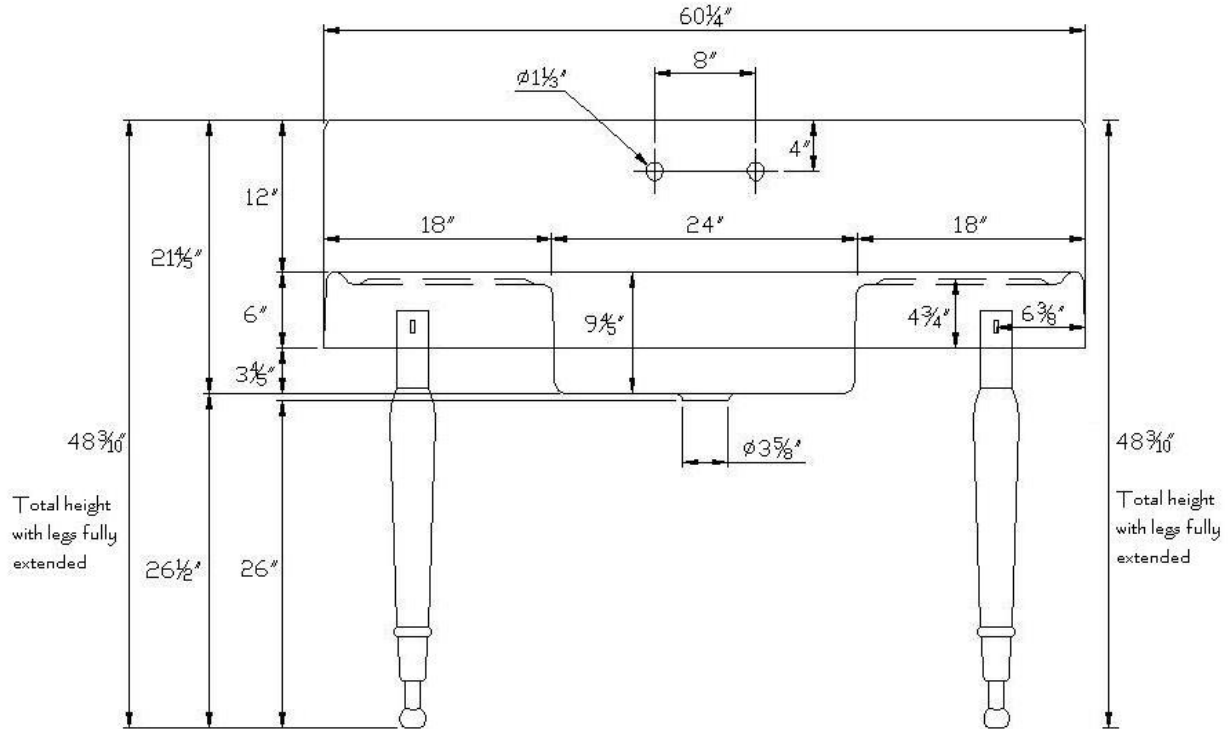


Strom Plumbing

BY
Sign of  the Crab

Ph: (916) 638-2722 / Fax: (916) 638-2725

Sink Specifications - Cast Iron Farmhouse Drainboard Sink w/Legs (P0814)



Installation Instructions for Sign of the Crab's P0814 Farmhouse Drainboard Sink
To be installed only by a qualified, licensed plumber

The rough-in for a Strom Plumbing wall mount faucet will be ½"IPS (iron pipe size) nipples, ½" past the sink wall. The holes in the sink are 8" on center, 8" above the lip of the sink apron. The minimum leg length is 29 ½", the maximum is 36". The rim of the sink would be about 1 ½" high. The sink rim height then is between 31" and 37 ½".

Before installing check back of sink where brackets are mounted. To do this place a straight edge from one side of the sink to the other in line with the brackets. Check to see that the brackets are even with the straight edge or back up to a quarter of an inch. Note that all of the edges on the sink may not be straight or square so regularities may need to be considered.

To set mounting brackets. To set the rim height at 36 inches snap a line on wall 45 inches from floor. This will be the line where the top set of bolts holes will be drilled.

Setting brackets. As the bolt holes are not exactly drilled in the same place on each bracket, mark each bracket 1,2,3,4. Hold first bracket on left side with top two holes on the line you just snapped. Upper left hole will be approx. 6 inches from left edge of sink. Mark the three holes. Measure over 16 inches and repeat marking process. Note that the brackets may not be exactly 16 inches apart so it is a good idea to check center lines on sink before marking bracket holes. After all bracket holes are marked, drill holes with appropriate drill size for the wall anchors that you are using. The sink is provided with Lag Bolts and concrete anchors and washers. Note that this sink is very, very heavy and you may want to lift it just one time. Use a minimum of 5 people. A set of saw horses may be a good idea so you do not have to lift it off of the floor several times. We found that the sink may not drop into the wall brackets if they are tight to the wall. So we suggest you leave the bolts loose about 1/2 inch and then tighten after the sink is installed. Note that there must be 3 1/2 inches clear above mounted bracket in order for the sink to drop into the bracket.

When installing the sink legs, the leg must be installed on the inside of the bracket and the narrow taper of the bracket on the leg facing the bracket on the sink. Adjust the leg so it is just snug to the floor.

1. *****CAUTION***: USE A MINIMUM OF 5 PEOPLE FOR THIS INSTALLATION.**
2. Install the sink wall brackets onto the wall. Insure extra bracing in the wall for the weight of the sink.
3. Ready the nuts and bolts for the sink legs as shown below. Note that the sink legs are installed on the **INSIDE** of the brackets that protrude under the sink.
4. Insert the bolts connecting the legs to the sink. Finger-tighten the nuts. Adjust the length of the sink leg, while at the same time making the sink leg vertical. Wrench-tighten the connection nut.

The picture below from the center of the sink represents the order of installation:

Bolt head, Sink Leg, Sink Bracket underneath sink, Washer, Lock Washer, Nut, Remainder of Bolt

